

Powered by

YANMAR

LIGHT BOY series

ELB113BD-EU

1000W Metal Halide Lamp x 1

Cart type / Balloon light

EXCELLENT MANEUVERABILITY

— BUILT-IN 1000W E-BALLAST —

Input frequency,
almost every country accepts

Restrike-time,
become shorter 5 to 10min.

Minimal flicker,
friendly to your eyes

Voltage control capability,
provided a certain amount of brightness



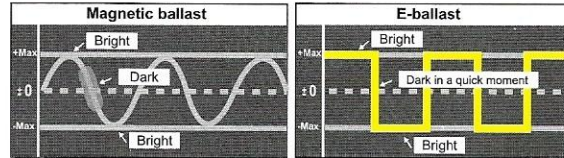
1000W

ELB113BD-EU

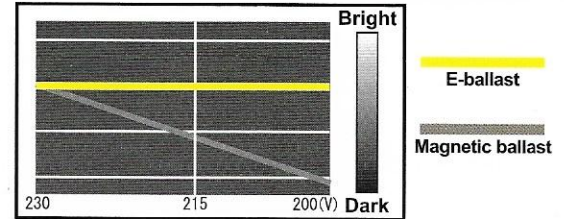
BUILT-IN E-BALLAST

High efficiency E-ballast

From the wavy line of digital type of electric ballast, even the wavy line get down, the dark area is a quick moment.



Provided a certain amount of brightness



Drastic time saving by E-ballast

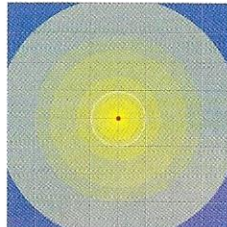


Input frequency

The Magnetic ballast changes with 50Hz or 60Hz by an area, but the E-ballast uses 50Hz and 60Hz in common. And E-ballast can be used in almost every country, it can accept power voltage from 90V to 240V.

Illumination for large area

As glare-free light of the balloon reaches over 360 degrees and to a long distance, Larger area can be illuminated safe and comfortably.



- Glare-free Lighting
- 360° Illumination
- Large Light Source
- Wide Coverage

Coverage area (1grid = 10m)

Message Strip

Since Balloon Light has integral Velcro fastener, message strip can be quickly installed with no tools.



*Price on demand

Please feel free to inquire your original "message strip".

Dusk-dawn operation without fill-up

A single tankful of diesel will keep these air-cooled gensets on the go for 22 hours. The secret to such long operation is their low fuel consumption from features like direct injection - a major feat for this type of compact engine.

These gensets give savings with every tankful of diesel. And they have a utility-size fuel tank, so you can leave them running all night.



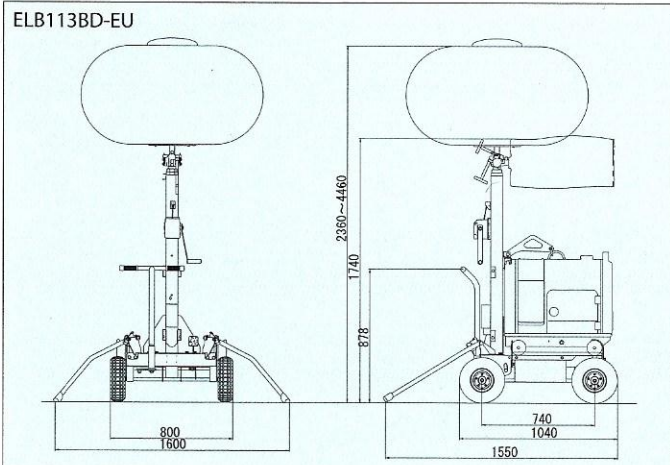
YDG300NS

World model



E-ballast accepted universal voltage

■ Dimensions (mm)



■ Specification

Lighting Tower		Model	ELB113BD-EU	
Lighting Tower	Rated Voltage	V	90 to 130, 170 to 240	
	Current	Starting	5.2 (230V)	
		Operating	4.9 (230V)	
	Lamp	Type	Metal Halide	
		Wattage x No. of lamp	W	1,000 x 1
		Total Luminous Flux	lm	105,000
Dimension (LxWxH)	Working	mm	1600 x 1550 x 2360 to 4460	
	Storage	mm	1040 x 800 x 1740	
Generator		Weight	kg	
Generator		Model	YDG300NS	
Generator		Output	Kw	
Generator		Starting System	Electric	
Generator		Fuel Oil / Tank capacity	L	
Generator		Dry Weight	kg	
Generator		Survival wind speed (with outrigger)	102 km/h	
Generator		Total Weight	kg	

KEP KURASHIKI EQUIPMENT PHILIPPINES CORPORATION

88 Block 4, North Reclamation Area Subangdaku, Mandaue City, 6014 Cebu, Philippines
 Tel.: +63 32 346-2297; 346-0171; +63 32 343-8608; 422-3789 • Fax: +63 32 346-2295
 Mobile No.: +63 917 636 0888 • E-mail: staff@yanmar.ph